

The Dacor logo is rendered in a bold, italicized, sans-serif font with a metallic, 3D effect. The letters are dark with a lighter, reflective highlight on the top and left sides, giving it a sleek, modern appearance. A registered trademark symbol (®) is located to the right of the logo.

dacor®

The Life of the Kitchen.®

A faded, grayscale background image of a kitchen. In the center is a Dacor gas range with a white bowl on the cooktop. To the left, there's a countertop with various kitchen items like a bottle and a bowl. To the right, a dishwasher is visible under the counter. The overall scene is a typical kitchen environment.

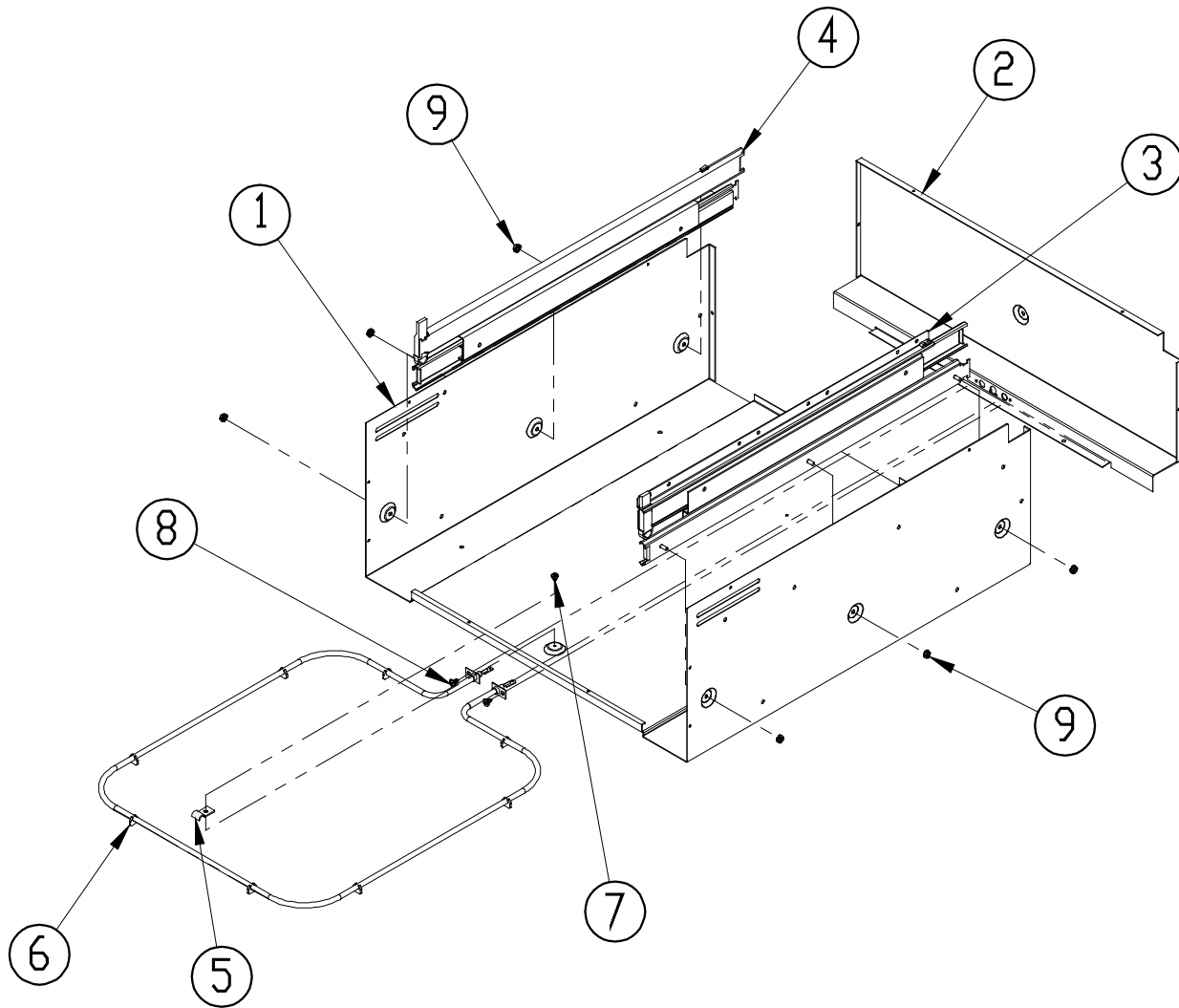
PARTS CATALOG

MRWD Series Warming Drawers

Page #	Description
2	Chassis Wrap Assembly
3	Chassis Assembly
4	Chassis Parts
5	Drawer Assembly

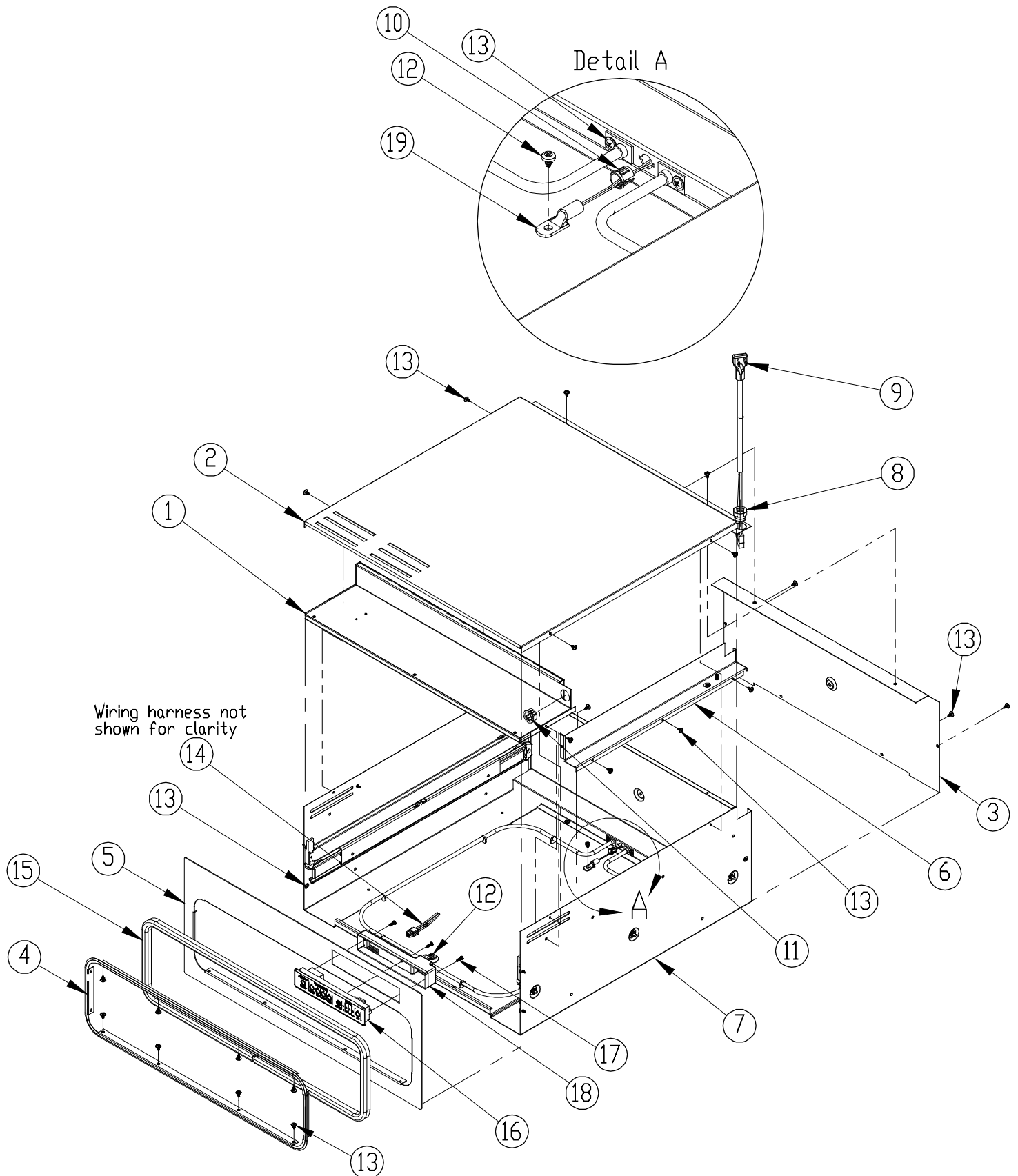
Revised 05-03-2013

MRWD Chassis Wrap Assembly



Item	Description	MRWD27S	MRWD30S/B
1	Wrap, Chassis, WD24	101883-02	101883-03
2	Partition, Rear	101881-02	101881-03
3	Slide Rail Set, Right	72737 - Sold as a set	
4	Slide Rail Set, Left		
5	Clip, Element Hold down	102321	102321
6	Heating Element	101651	101651
7	Screw, Phil HD, #8 x 1/4"	83001	83001
8	Screw, Phil HD, #8 x 3/8"	83263	83263
9	Nut Hex Keps #8-32	83048	83048

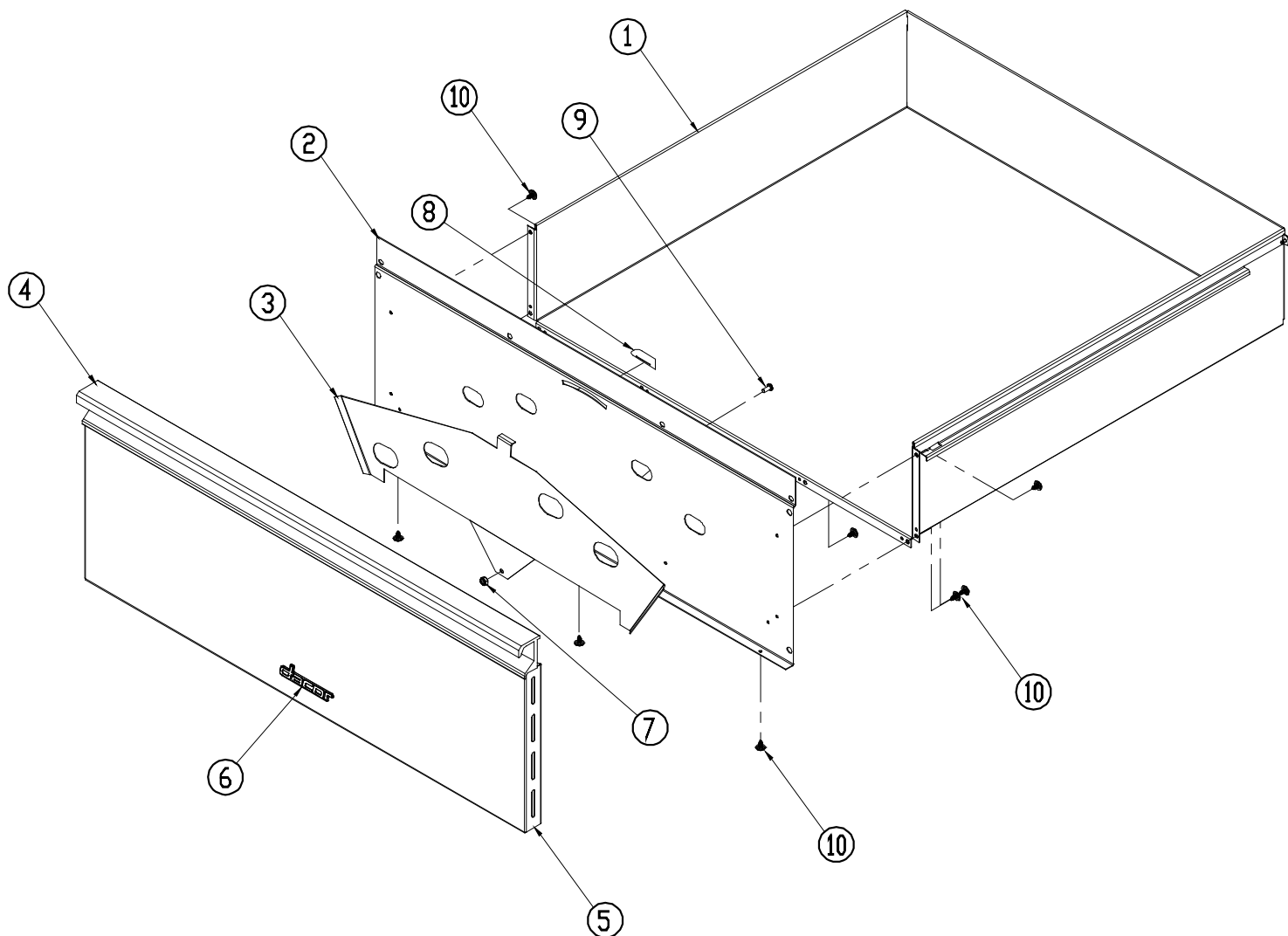
MRWD Chassis Assembly



MRWD Chassis Parts

Item	Description	MRWD27S	MRWD30S/B
1	Asy, Channel Control	700738-02	700738-03
2	Top Cover	101882-02	101882-03
3	Cover, Rear	101657-02	101657-03
4	Frame Gasket Kit	102442 ¹	102445 ²
5	Control Panel	101879-02B ¹	101879-03B ²
6	Electric Chase Weld	700877	700877
7	Asy, Chassis Wrap	700591-02	700591-03
8	Strain Relief Bushing	83141	83141
9	Power Supply Cord	72765	72765
10	3/8" Bushing Hole	83523	83523
11	Bushing, Heyco	83056	83056
12	Screw, Phil HD, #8 x 1/4"	83001	83001
13	Screw, Phil HD, #8 x 3/8"*	83263 ¹	83263 ²
14	Wire Harness (Not Shown)	102347	102347
-	Hi-Limit Thermostat (Not Shown)	106613	106613
15	Gasket	101648 ¹	101649 ²
16	Control w/ Overlay**	101645 ³	101645 ³
17	Screw, #6-19 x 1/2" Plastite**	102499 ³	102499 ³
18	Cover, Control Board**	101610	101610
19	Thermistor	102472	102472
¹ Must be ordered as kit # 701127-02. Kit includes items 4, 5, 15 and 8 screws.			
² Must be ordered as kit # 701127-03. Kit includes items 4, 5, 15 and 8 screws.			
³ Must be ordered as kit # 701120. Kit includes items control board with membrane, cover, 6 screws.			

MRWD Drawer Assembly



Item	Description	MRWD27S	MRWD30S	MRWD30B
1	Asy, Drawer Wrap, Service	701121-02 ¹	701121-03 ²	701121-03 ²
2	Drawer, Backing Panel	103632	106390E	106390E
3	Moist Crisp Slide	36454	36454	36454
4	Handle, Finished	103800S	103799S	103799BG
5	Door Skin w/ Logo, Service	701128-01 ³	701128-02 ⁴	701128-03 ⁵
6	Dacor Logo	72510CH	72510CH	72510CH
7	Nut, Lock, Nylon, #10-24	106078	106078	106078
8	Knob, Damper, Black	82415B	82415B	82415B
9	Screw, Pan Hd, #8-32 x 3/8"	83358	83358	83358
10	Screw, Wfr Hd, #8 x 3/8"	83534	83534	83534

¹Must be ordered as kit # 701121-02. Includes drawer wrap with drawer rails.

²Must be ordered as kit # 701121-03. Includes drawer wrap with drawer rails.

³Must be ordered as kit # 701128-01. Includes door skin with glass installed.

⁴Must be ordered as kit # 701128-02. Includes door skin with glass installed.

⁵Must be ordered as kit # 701128-03. Includes door frame with glass and Dacor logo installed.