

The Dacor logo is rendered in a bold, italicized, sans-serif font with a metallic, 3D effect. The letters are dark with a lighter, reflective highlight on the top and left sides, giving it a sleek, modern appearance.

The Life of the Kitchen.®

The background of the page is a faded, grayscale image of a kitchen. It shows a white gas range with a white bowl on top, a wooden countertop with various kitchen items like a bottle of oil and a bowl, and a white cabinet below. The overall tone is clean and professional.

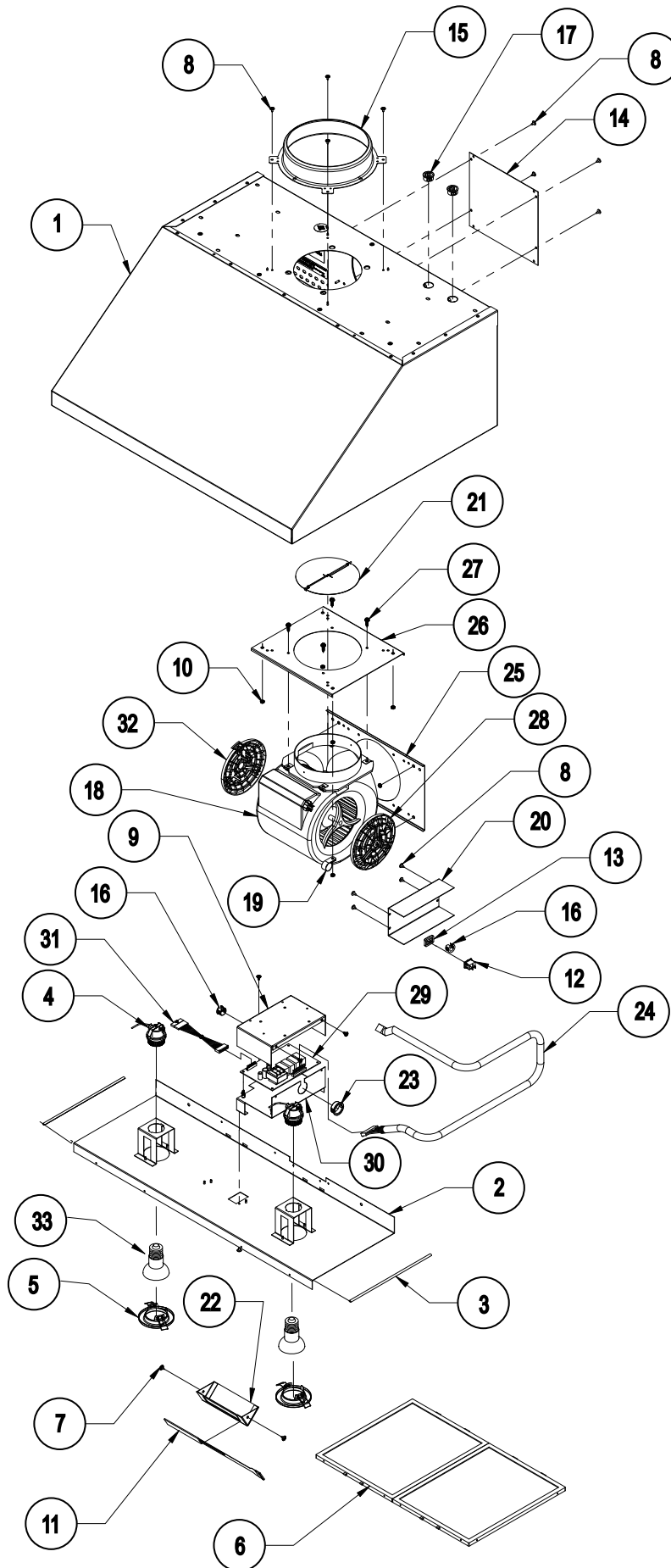
PARTS CATALOG

MH Series Hoods

| Page # | Description |
|---------------|------------------------|
| 2 | MH3012 Assembly |
| 4 | MH3018 Assembly |
| 6 | MH3612 Assembly |
| 8 | MH3618 Assembly |
| 10 | MH4812 Assembly |
| 12 | MH4818 Assembly |

Revised 12-05-2014

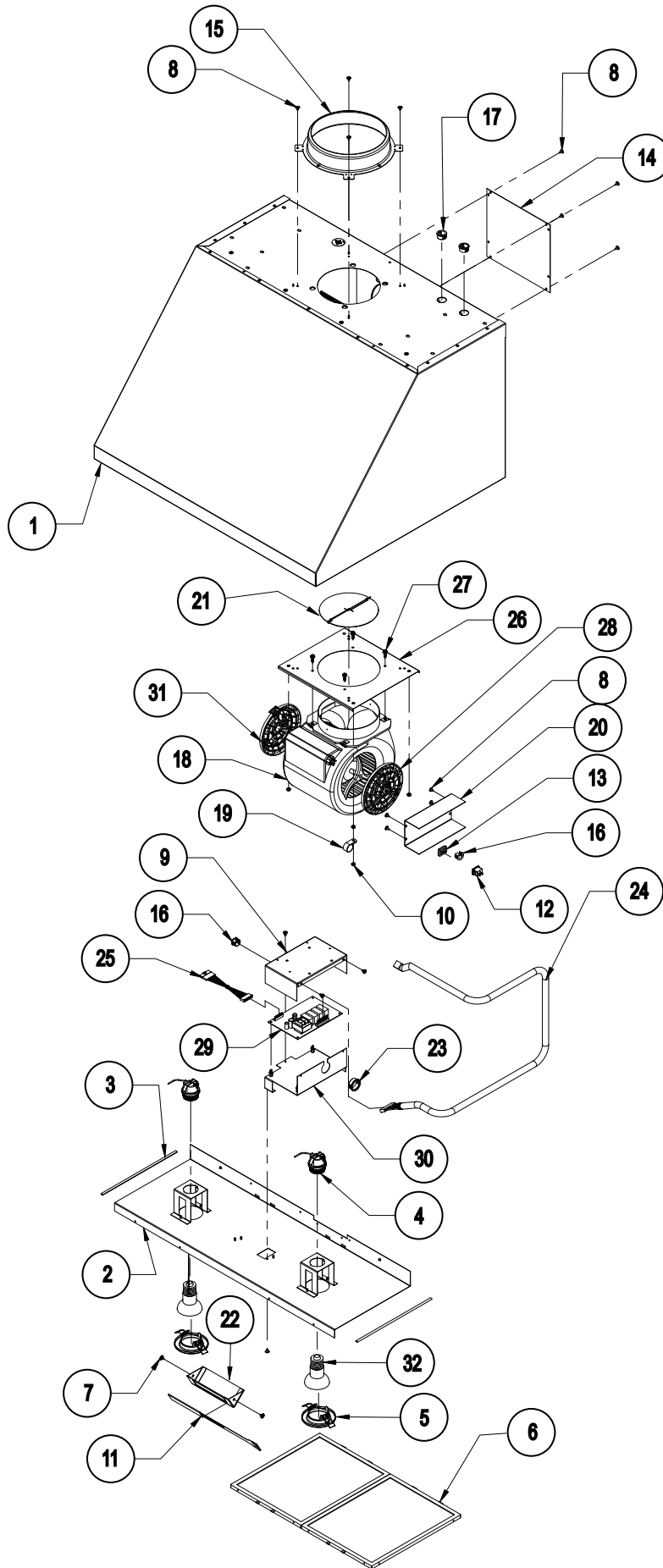
MH3012 Assembly



MH3012 Parts List

| Item | Part # | Description |
|------|------------|---------------------------------------|
| 1 | 700940-01W | Asy, Canopy |
| 2 | 700571-01 | Asy, Liner |
| 3 | 62350 | Trim, Edge |
| 4 | 101624 | Lamp Holder |
| 5 | 62352 | Trim, Lamp |
| 6 | 101617 | Filter, 9.50 x 12 |
| 7 | 83534 | Screw, HD, #8 x 3/8" |
| 8 | 83263 | Screw, Phil HD, #8 x 3/8" |
| 9 | 101664 | Cover, Control Board |
| 10 | 83308 | Nut, Keps, #6-32 |
| 11 | 101655 | Membrane Switch Panel |
| 12 | 102887 | Rocker Switch |
| 13 | 103606 | Cap, Rocker Switch |
| 14 | 101607 | Cover, Blower |
| 15 | 101613 | Collar, Damper |
| 16 | 83061 | Bushing, Split, 5/8" |
| 17 | 83056 | Bushing, Heyco, SB-875-11 |
| 18 | 101605 | Blower, 600 CFM |
| 19 | 83167 | Clamp, Cable, 3/4" |
| 20 | 101656 | Cover, Terminal Block |
| 21 | 102192 | Damper Shutter |
| 22 | 700586 | Weldnment, Control Box |
| 23 | 102429-01 | Snap Bushing |
| 24 | 101621 | Wire Harness, Single Blower |
| 25 | 102186 | 12" Blower Plate |
| 26 | 101606 | Blower MTG Bracket |
| 27 | 83026 | Screw, Slot HWH, #10 x 3/4" |
| 28 | 102508-01 | Finger Guard, RH |
| 29 | 101618 | Controller Board |
| 30 | 101642 | Plate, MTG Hood Controller |
| 31 | 102507 | Wire Harness, Membrane |
| 32 | 102508-02 | Finger Guard, LH w/ Cable Exit |
| 33 | 92348 | Lamp, Halogen |
| - | 700892-01 | Kit, Hardware, Single Fan (Not Shown) |

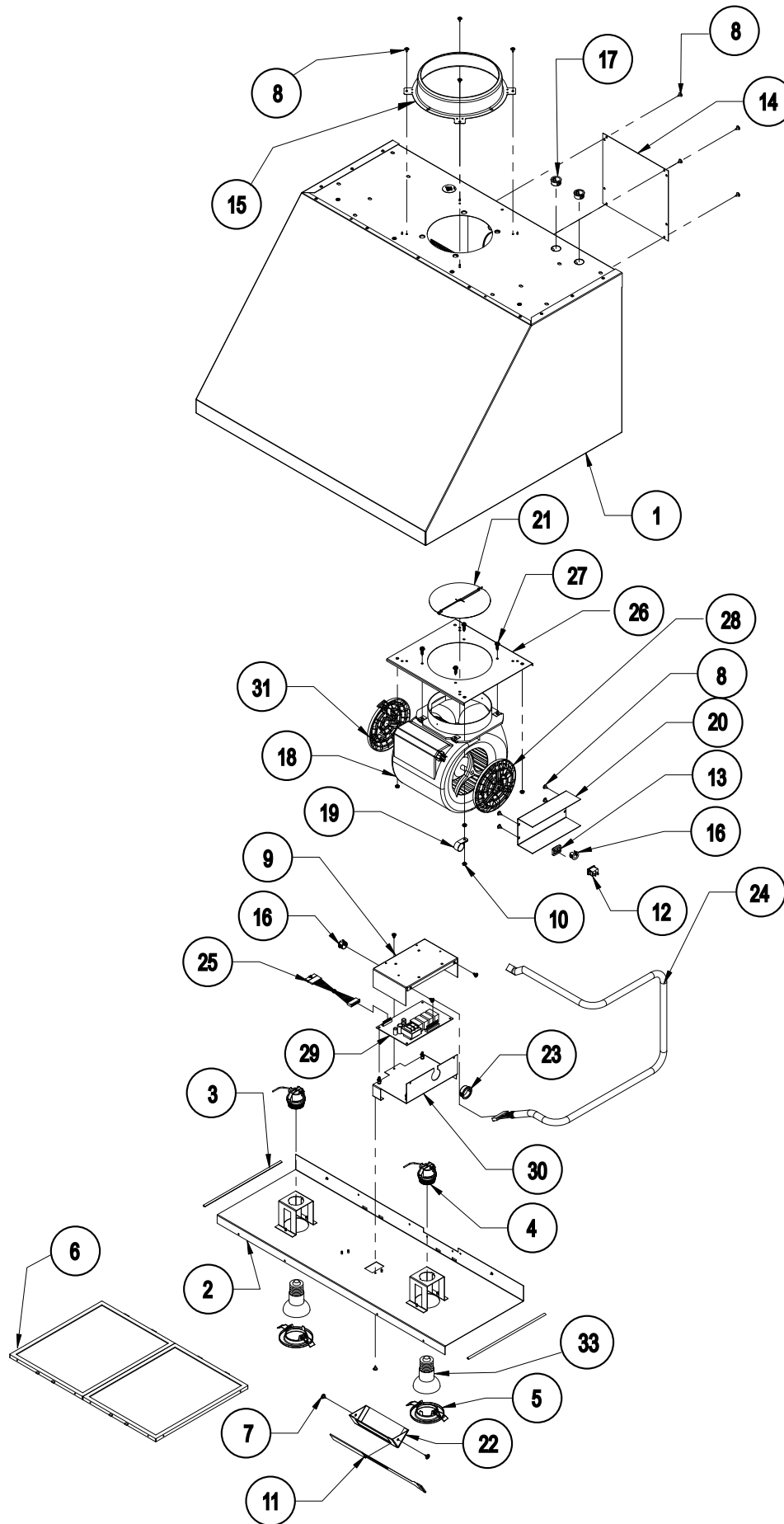
MH3018 Assembly



MH3018 Parts List

| Item | Part # | Description |
|------|------------|---------------------------------------|
| 1 | 700943-01W | Asy, Canopy |
| 2 | 700571-01 | Asy, Liner |
| 3 | 62350 | Trim, Edge |
| 4 | 101624 | Lamp Holder |
| 5 | 62352 | Trim, Lamp |
| 6 | 101617 | Filter, 9.50 x 12 |
| 7 | 83534 | Screw, HD, #8 x 3/8" |
| 8 | 83263 | Screw, Phil HD, #8 x 3/8" |
| 9 | 101664 | Cover, Control Board |
| 10 | 83308 | Nut, Keps, #6-32 |
| 11 | 700548 | Asy, Membrane |
| 12 | 102887 | Rocker Switch |
| 13 | 103606 | Cap, Rocker Switch |
| 14 | 101607 | Cover, Blower |
| 15 | 101613 | Collar, Damper |
| 16 | 83061 | Bushing, Split, 5/8" |
| 17 | 83056 | Bushing, Heyco, SB-875-11 |
| 18 | 101605 | Blower, 600 CFM |
| 19 | 83167 | Clamp, Cable, 3/4" |
| 20 | 101656 | Cover, Terminal Block |
| 21 | 102192 | Damper Shutter |
| 22 | 700586 | Weldnment, Control Box |
| 23 | 102429-01 | Snap Bushing |
| 24 | 101621 | Wire Harness, Single Blower |
| 25 | 102507 | Wire Harness, Membrane |
| 26 | 101606 | Blower MTG Bracket |
| 27 | 83026 | Screw, Slot HWH, #10 x 3/4" |
| 28 | 102508-01 | Finger Guard, RH |
| 29 | 101618 | Controller Board |
| 30 | 101642 | Plate, MTG Hood Controller |
| 31 | 102508-02 | Finger Guard, LH w/ Cable Exit |
| 32 | 92348 | Lamp, Halogen |
| - | 700892-01 | Kit, Hardware, Single Fan (Not Shown) |

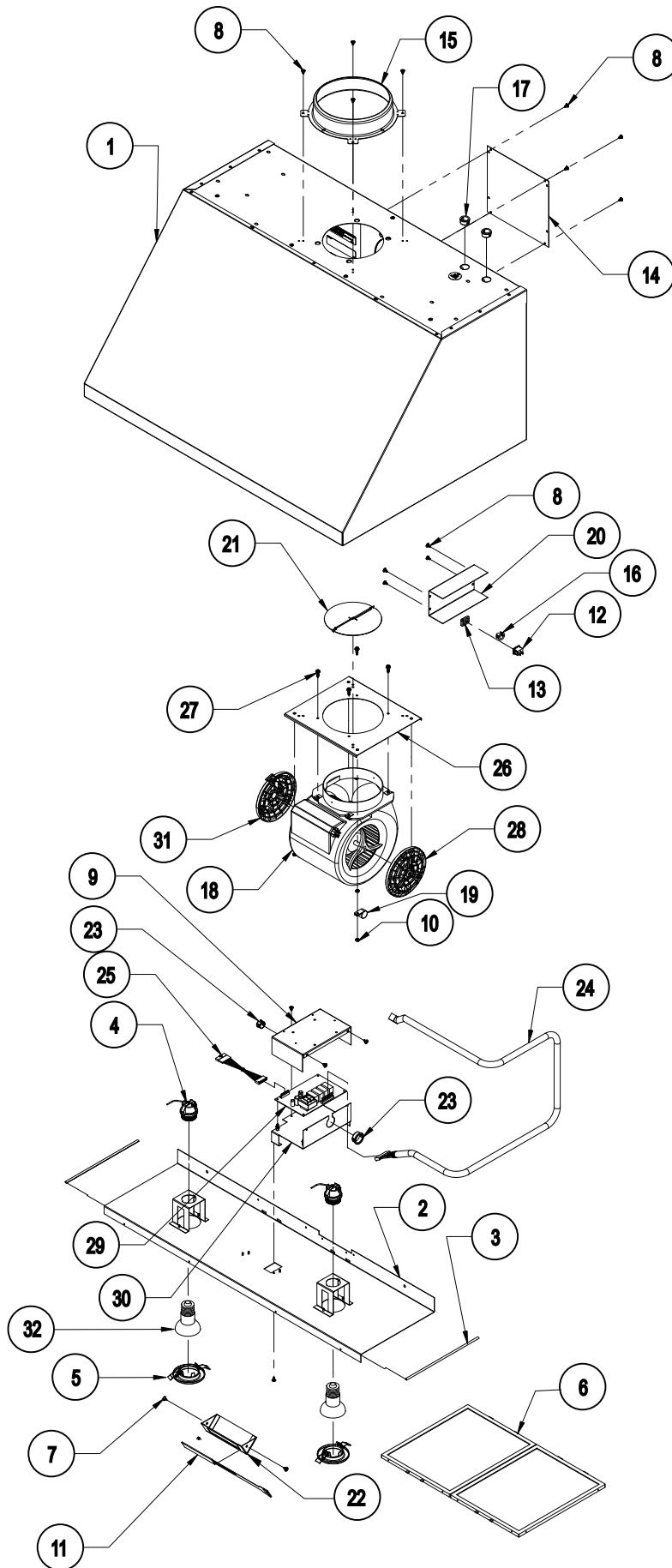
MH3612 Assembly



MH3612 Parts List

| Item | Part # | Description |
|------|------------|---------------------------------------|
| 1 | 700940-02W | Asy, Canopy |
| 2 | 700571-01 | Asy, Liner |
| 3 | 62350 | Trim, Edge |
| 4 | 101624 | Lamp Holder |
| 5 | 62352 | Trim, Lamp |
| 6 | 101617 | Filter, 9.50 x 12 |
| 7 | 83534 | Screw, HD, #8 x 3/8" |
| 8 | 83263 | Screw, Phil HD, #8 x 3/8" |
| 9 | 101664 | Cover, Control Board |
| 10 | 83308 | Nut, Keps, #6-32 |
| 11 | 101655 | Membrane Switch Panel |
| 12 | 102887 | Rocker Switch |
| 13 | 103606 | Cap, Rocker Switch |
| 14 | 101607 | Cover, Blower |
| 15 | 101613 | Collar, Damper |
| 16 | 83061 | Bushing, Split, 5/8" |
| 17 | 83056 | Bushing, Heyco, SB-875-11 |
| 18 | 101605 | Blower, 600 CFM |
| 19 | 83167 | Clamp, Cable, 3/4" |
| 20 | 101656 | Cover, Terminal Block |
| 21 | 102192 | Damper Shutter |
| 22 | 700586 | Weldnment, Control Box |
| 23 | 102429-01 | Snap Bushing |
| 24 | 101621 | Wire Harness, Single Blower |
| 25 | 102186 | 12" Blower Plate |
| 26 | 101606 | Blower MTG Bracket |
| 27 | 83026 | Screw, Slot HWH, #10 x 3/4" |
| 28 | 102508-01 | Finger Guard, RH |
| 29 | 101618 | Controller Board |
| 30 | 101642 | Plate, MTG Hood Controller |
| 31 | 102507 | Wire Harness, Membrane |
| 32 | 102508-02 | Finger Guard, LH w/ Cable Exit |
| 33 | 92348 | Lamp, Halogen |
| - | 700892-01 | Kit, Hardware, Single Fan (Not Shown) |

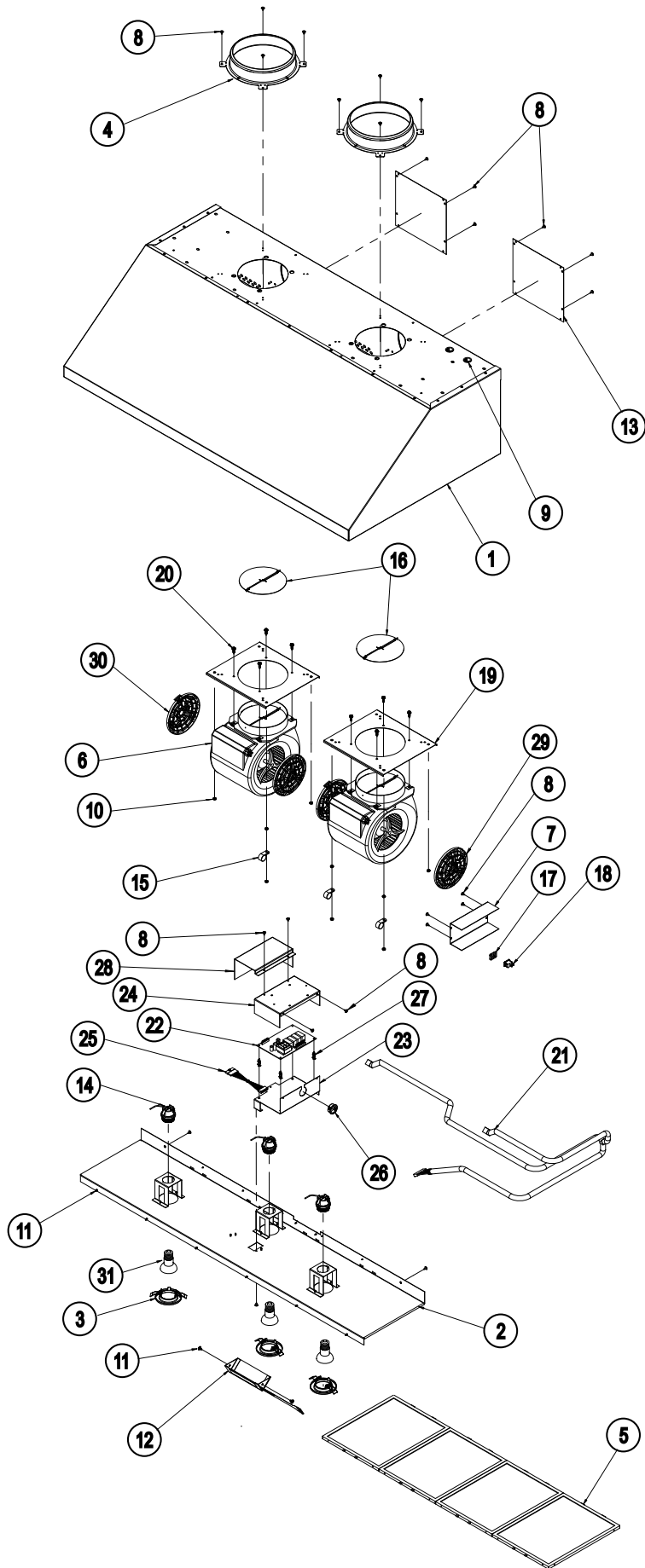
MH3618 Assembly



MH3618 Parts List

| Item | Part # | Description |
|------|------------|---------------------------------------|
| 1 | 700943-02W | Asy, Canopy |
| 2 | 700571-01 | Asy, Liner |
| 3 | 62350 | Trim, Edge |
| 4 | 101624 | Lamp Holder |
| 5 | 62352 | Trim, Lamp |
| 6 | 101617 | Filter, 9.50 x 12 |
| 7 | 83534 | Screw, HD, #8 x 3/8" |
| 8 | 83263 | Screw, Phil HD, #8 x 3/8" |
| 9 | 101664 | Cover, Control Board |
| 10 | 83308 | Nut, Keps, #6-32 |
| 11 | 700548 | Asy, Membrane |
| 12 | 102887 | Rocker Switch |
| 13 | 103606 | Cap, Rocker Switch |
| 14 | 101607 | Cover, Blower |
| 15 | 101613 | Collar, Damper |
| 16 | 83061 | Bushing, Split, 5/8" |
| 17 | 83056 | Bushing, Heyco, SB-875-11 |
| 18 | 101605 | Blower, 600 CFM |
| 19 | 83167 | Clamp, Cable, 3/4" |
| 20 | 101656 | Cover, Terminal Block |
| 21 | 102192 | Damper Shutter |
| 22 | 700586 | Weldnment, Control Box |
| 23 | 102429-01 | Snap Bushing |
| 24 | 101621 | Wire Harness, Single Blower |
| 25 | 102507 | Wire Harness, Membrane |
| 26 | 101606 | Blower MTG Bracket |
| 27 | 83026 | Screw, Slot HWH, #10 x 3/4" |
| 28 | 102508-01 | Finger Guard, RH |
| 29 | 101618 | Controller Board |
| 30 | 101642 | Plate, MTG Hood Controller |
| 31 | 102508-02 | Finger Guard, LH w/ Cable Exit |
| 32 | 92348 | Lamp, Halogen |
| - | 700892-01 | Kit, Hardware, Single Fan (Not Shown) |

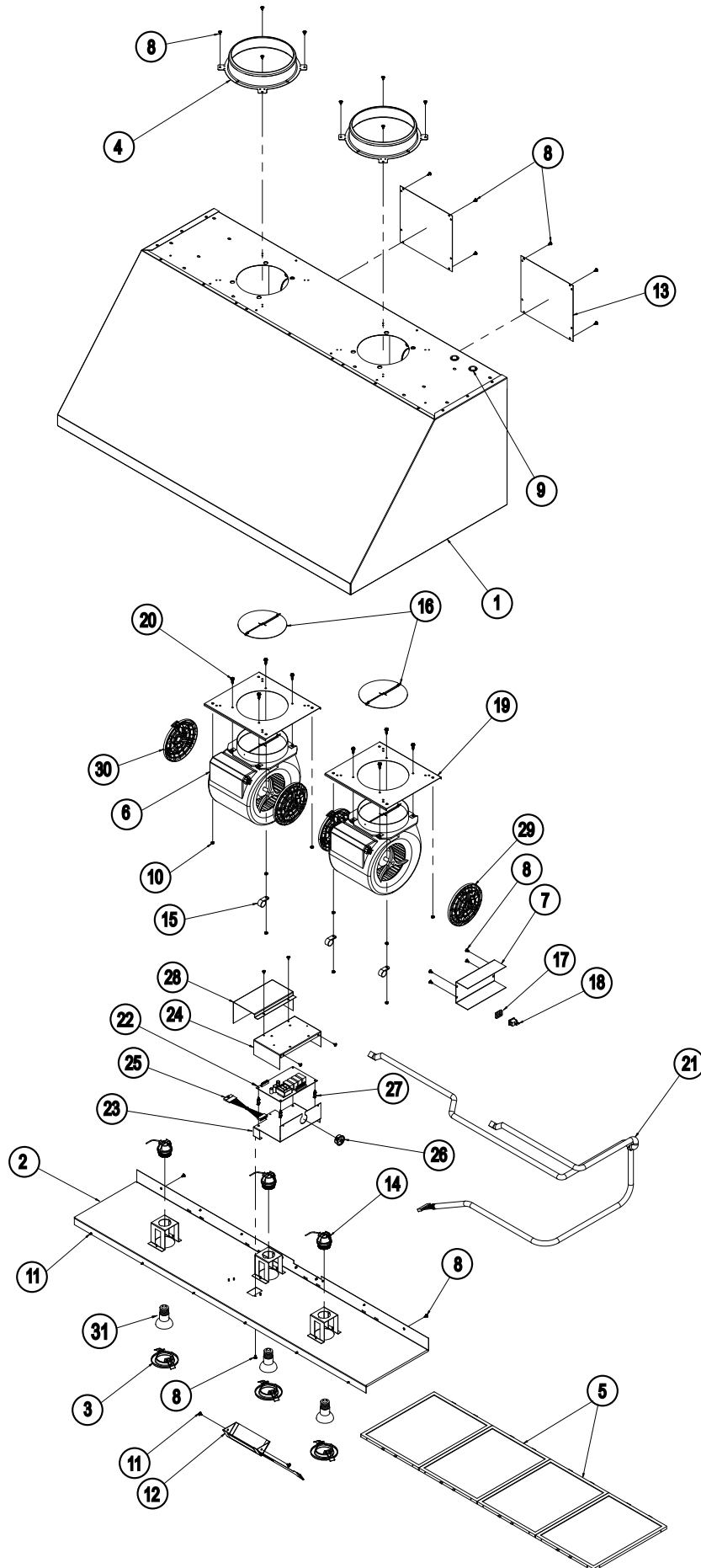
MH4812 Assembly



MH4812 Parts List

| Item | Part # | Description |
|------|-----------|---------------------------------------|
| 1 | 700945W | Asy, Canopy |
| 2 | 700573-02 | Asy, Liner |
| 3 | 62352 | Trim, Lamp |
| 4 | 101613 | Collar, Damper |
| 5 | 101617 | Filter, 9.50 x 12 |
| 6 | 700549 | Asy, Blower |
| 7 | 101656 | Cover, Terminal Block |
| 8 | 83263 | Screw, Phil HD, #8 x 3/8" |
| 9 | 83056 | Bushing, Heyco, SB-875-11 |
| 10 | 83308 | Nut, Keps, #6-32 |
| 11 | 83534 | Screw, HD, #8 x 3/8" |
| 12 | 700548 | Asy, Membrane |
| 13 | 101607 | Cover, Blower |
| 14 | 101624 | Lamp Holder |
| 15 | 83167 | Clamp, Cable, 3/4" |
| 16 | 700642 | Asy, Damper |
| 17 | 103606 | Cap, Rocker Switch |
| 18 | 102887 | Rocker Switch |
| 19 | 101606 | Blower MTG Bracket |
| 20 | 83026 | Screw, Slot HWH, #10 x 3/4" |
| 21 | 101622 | Wire Harness, Double Fan |
| 22 | 101618 | Controller Board |
| 23 | 101642 | Plate, MTG Hood Controller |
| 24 | 101664 | Cover, Control Board |
| 25 | 102507 | Wire Harness, Membrane |
| 26 | 102429-01 | Snap Bushing |
| 27 | 83538 | PCB Support, Nylon |
| 28 | 102513 | Cover, Light Housing |
| 29 | 102508-01 | Finger Guard, RH |
| 30 | 102508-02 | Finger Guard, LH w/ Cable Exit |
| 31 | 92348 | Lamp, Halogen |
| - | 700892-02 | Kit, Hardware, Double Fan (Not Shown) |

MH4818 Assembly



MH4818 Parts List

| Item | Part # | Description |
|------|-----------|---------------------------------------|
| 1 | 700947W | Asy, Canopy |
| 2 | 700573-02 | Asy, Liner |
| 3 | 62352 | Trim, Lamp |
| 4 | 101613 | Collar, Damper |
| 5 | 101617 | Filter, 9.50 x 12 |
| 6 | 700549 | Asy, Blower |
| 7 | 101656 | Cover, Terminal Block |
| 8 | 83263 | Screw, Phil HD, #8 x 3/8" |
| 9 | 83056 | Bushing, Heyco, SB-875-11 |
| 10 | 83308 | Nut, Keps, #6-32 |
| 11 | 83534 | Screw, HD, #8 x 3/8" |
| 12 | 700548 | Asy, Membrane |
| 13 | 101607 | Cover, Blower |
| 14 | 101624 | Lamp Holder |
| 15 | 83167 | Clamp, Cable, 3/4" |
| 16 | 700642 | Asy, Damper |
| 17 | 103606 | Cap, Rocker Switch |
| 18 | 102887 | Rocker Switch |
| 19 | 101606 | Blower MTG Bracket |
| 20 | 83026 | Screw, Slot HWH, #10 x 3/4" |
| 21 | 101622 | Wire Harness, Double Fan |
| 22 | 101618 | Controller Board |
| 23 | 101642 | Plate, MTG Hood Controller |
| 24 | 101664 | Cover, Control Board |
| 25 | 102507 | Wire Harness, Membrane |
| 26 | 102429-01 | Snap Bushing |
| 27 | 83538 | PCB Support, Nylon |
| 28 | 102513 | Cover, Light Housing |
| 29 | 102508-01 | Finger Guard, RH |
| 30 | 102508-02 | Finger Guard, LH w/ Cable Exit |
| 31 | 92348 | Lamp, Halogen |
| - | 700892-02 | Kit, Hardware, Double Fan (Not Shown) |