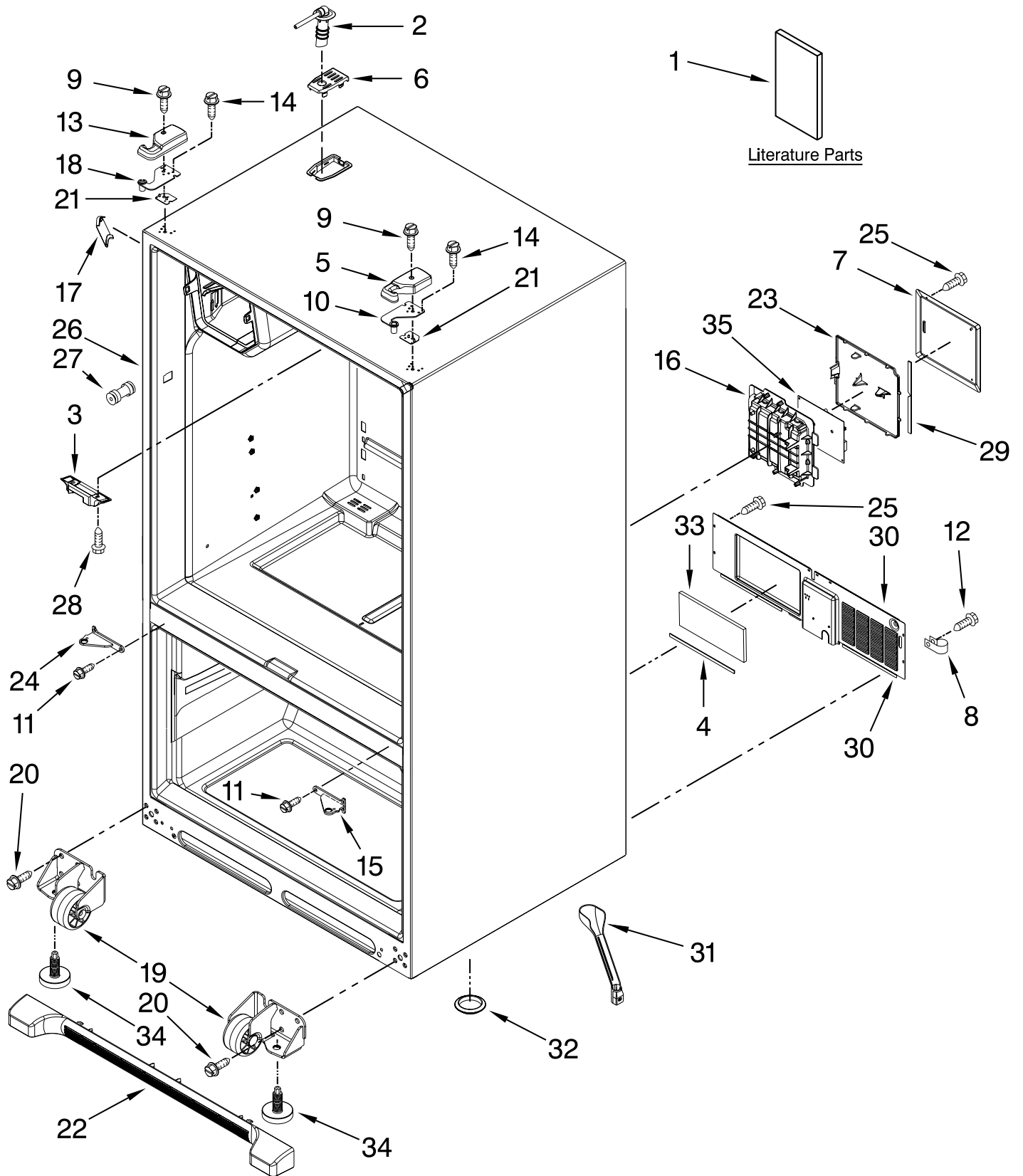


CABINET PARTS

For Models: EF36IWFSSS8
(Stainless Steel)

REFRIGERATOR



FOR ORDERING INFORMATION REFER TO PARTS PRICE LIST

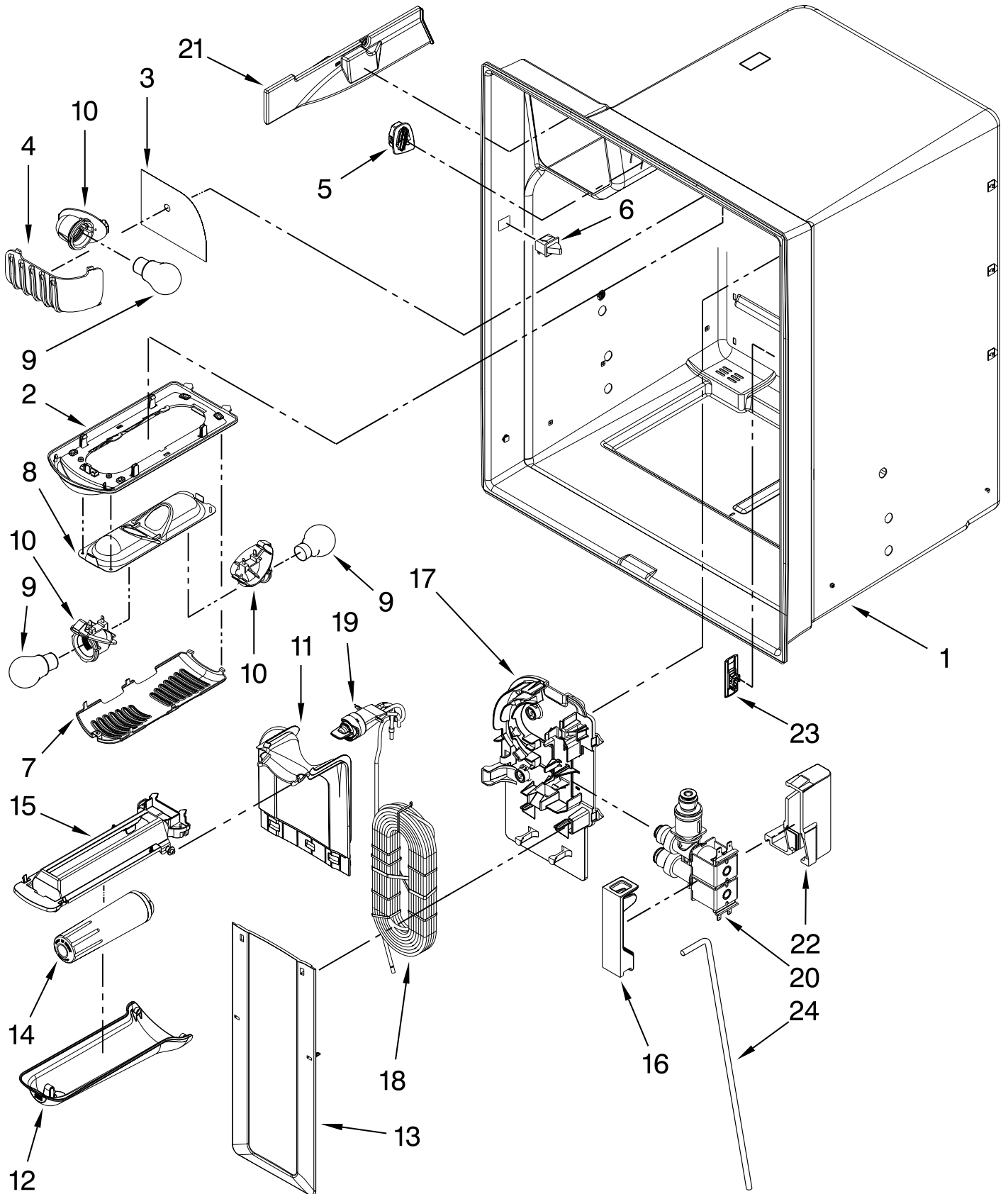
CABINET PARTS

For Models: EF36IWFSSS8
(Stainless Steel)

Illus. No.	Part No.	DESCRIPTION
1		Literature Parts
	W10476808	Tech Sheet
	W10326953	Use & Care Guide
	W10281611	Guide, Energy
2	12961401	Tube W/Waterline, Fill-IM
3	12698403	Block, Pivot
4	B5759655	Gasket, MC Back
5		Cover, Top Hinge (Right)
	12962302AP	Apollo Grey
6		Cover, Fill Tube
	12981401AP	Apollo Grey
7	12961602	Cover, Control Box
8	M0108107	Clamp, Tube
9	12992602	Screw, Hinge Cover
10	12963205ED	Hinge, Top Right
11	W10339086	Screw, Center Hinge
12	12990511	Screw (3)
13		Cover, Top Hinge (Left)
	W10337648	Apollo Grey
14	12992403	Screw, Top Hinge
15		Hinge, Center (RT)
	13000002AP	Apollo Grey
16	12957601	Box, HV Control
17		Cover, Corner (2)
	12587703AP	Apollo Grey
18	12963204ED	Hinge, Top Left
19		Roller Assy. (Front)
	W10275849	Right
	W10275850	Left
20	12991302	Screw (8)
21		Shim, Top Hinge
	12999501	Left
	12999502	Right
22		Grille, Toe
	W10244558	Apollo Grey
23	W10296536	Lid, HV Control
24		Hinge, Center (LT)
	13000001AP	Apollo Grey
25	12990702	Screw, Cover
26		Cabinet (Not A Servicable Part)
27	W10334458	Connector-Water
28	12990302	Screw, Block
29	12957801	Gasket, HV Control
30	W10270394	Cover, MC Back
31	W10210988	Tube, Drain
32	A3076901	Plug, Bottom
33	12820505	Fiber, Acoustic
34	W10141622	Brake, Foot
35	W10312695	Board, HV Control

REFRIGERATOR LINER PARTS

For Models: EF36IWFSSS8
(Stainless Steel)



FOR ORDERING INFORMATION REFER TO PARTS PRICE LIST

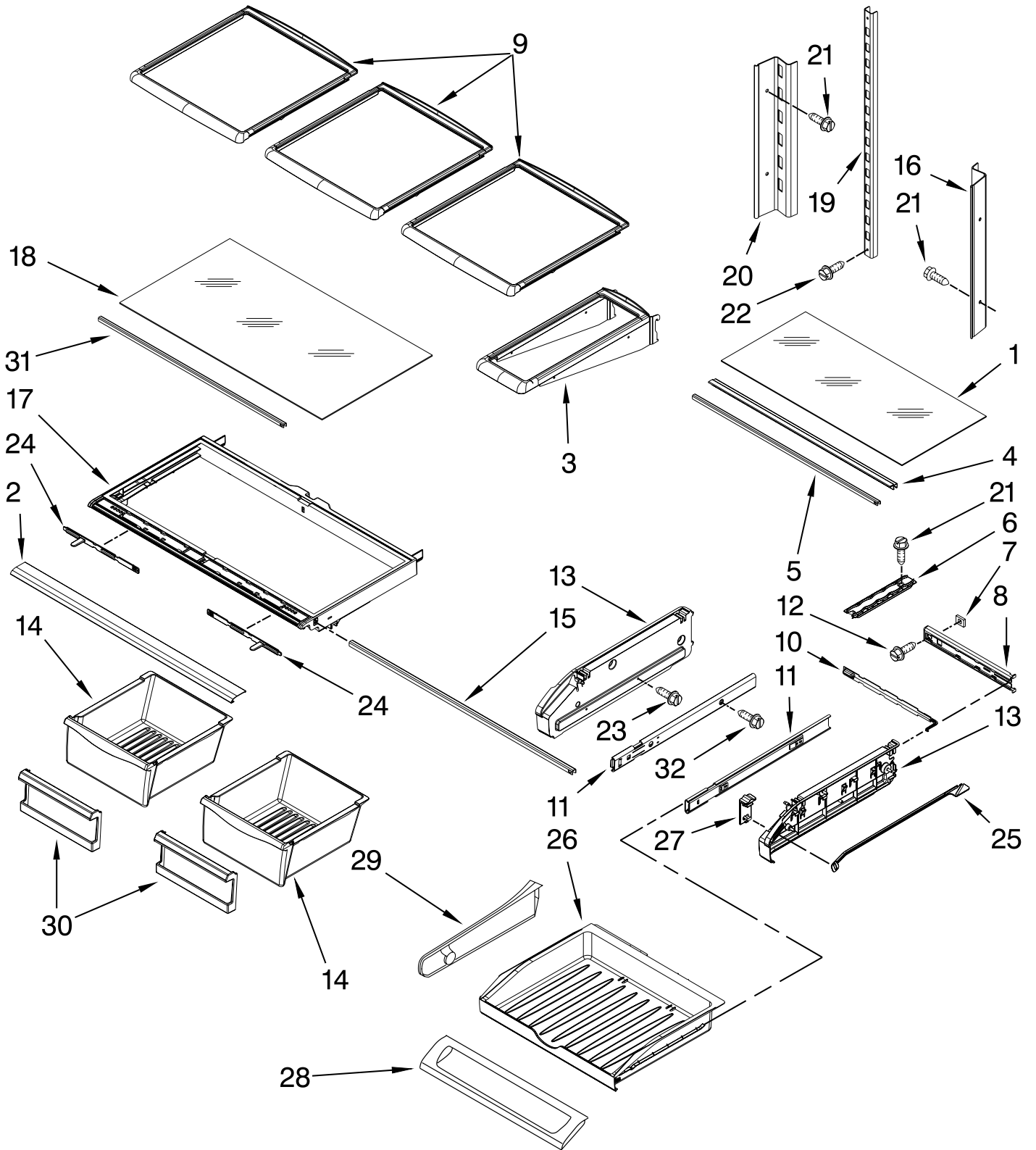
REFRIGERATOR LINER PARTS

For Models: EF36IWFSSS8
(Stainless Steel)

Illus.	Part	
No.	No.	DESCRIPTION
1		Liner (Not A Serviceable Part)
2	W10464777	Module, Light
3	12691605	Foil, Light
4	12921801	Cover, Light
5	W10396902	Grille, Air
6	12466103	Switch, Light (2)
7	12905902	Cover, Light
8	W10443023	Housing, Light
9	W10311505N	Bulb, Light
10	12570701V	Socket, Light
11	12960101	Cover, Water Tank (Upper)
12	12960301	Lid, Water Filter
13	12960001	Cover, Water Tank (Lower)
14	UKF8001AXX	Filter, Water
15	12955901	Bracket, Filter Base
16	W10118194	Lid, Enclosure
17	W10334463	Bracket, Water Tank & Valve
18	W10463663	Water Tank & Head Assembly
19	12664501SP	Plug, Bypass
20	W10312696	Valve, Water Inlet
21	13033601	Cover, Ice Box Harness
22	W10118193	Enclosure, Water Valve Connector
23	12987301	Cover, Chiller Vent
24	W10408571	Waterline, Cabinet (W/Nut)

SHELF PARTS

For Models: EF36IWFSSS8
(Stainless Steel)



FOR ORDERING INFORMATION REFER TO PARTS PRICE LIST

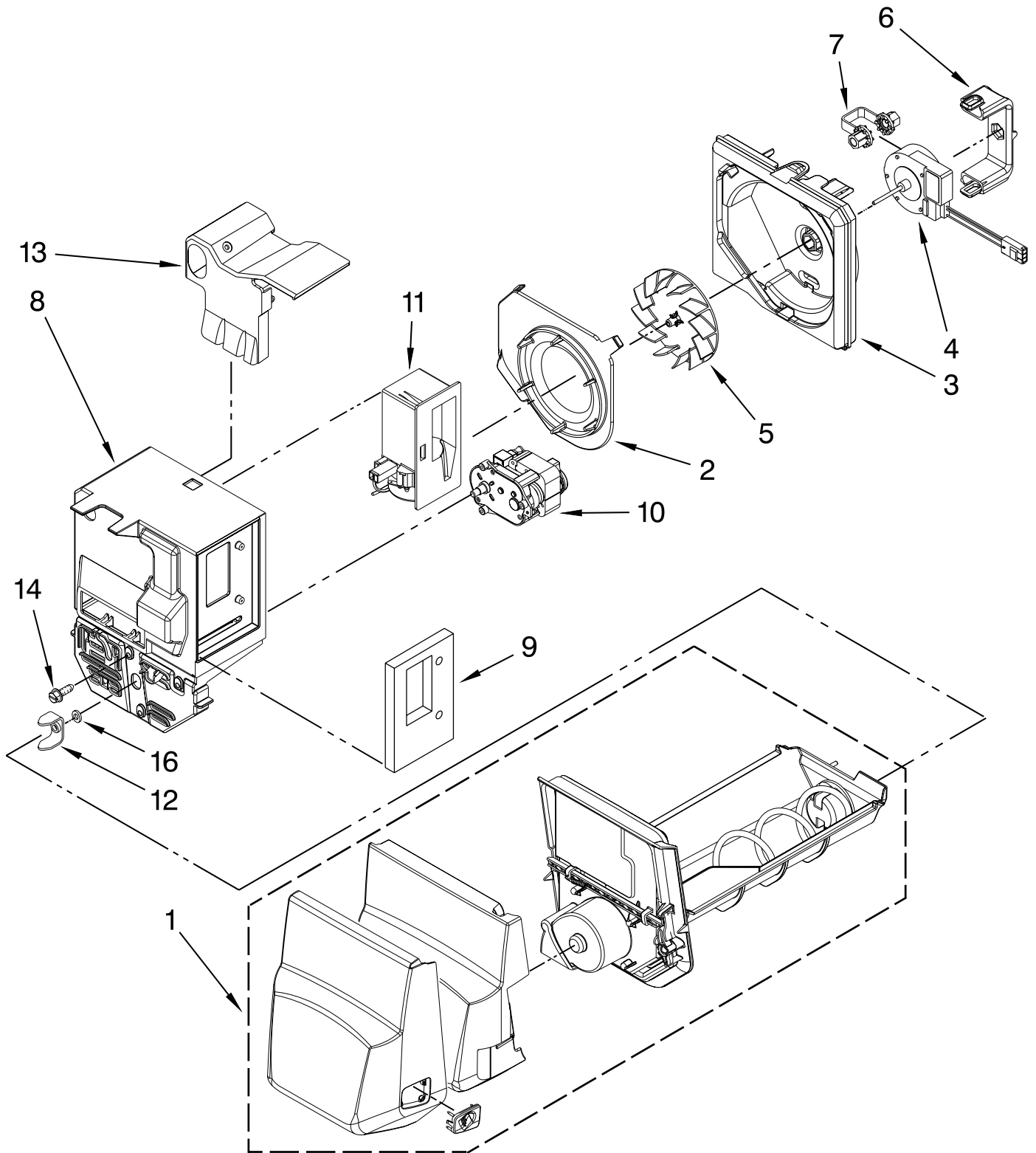
SHELF PARTS

For Models: EF361WFSSS8
(Stainless Steel)

Illus.	Part	
No.	No.	DESCRIPTION
1	12204829	Glass, Pantry
2	W10231488	Trim, Crisper
3	12982901	Shelf, Mini (Stationary)
4	12655902SP	Support, Pantry(2)
5	12227304WD	Brace, Pantry (2)
6	12531901	Track, Pantry
7	12656901	Gasket, Pantry
8	12656202	Housing, Control
9	12463912	Shelf, Glide (3)
10	12655402	Slide, Temperature
11	W10235370	Glide, Drawer (2)
12	12990513	Screw
13		Endcap, Pantry
	12656105	Left
	12656018	Right
14	12531105SP	Pan, Crisper (2)
15	12227305WH	Support, Crisper Cover
16	W10251967	Ladder, Side RH
17	12531202SP	Frame, Crisper
18	12204821	Glass, Crisper Cover
19	W10273464	Ladder, Center
20	W10251966	Ladder, Side LH
21	12990513	Screw
22	12990515	Screw
23	12990512	Screw
24	12530805SP	Slide, Humidity Control
25	12655303	Bar, Temperature Control
26	12655702	Drawer, Pantry
27	12655204	Knob, Temperature Control
28	12656813	Lid, Pantry Drawer Crisper Frame
29	12709301	Divider, Pantry
30	12643802SP	Front-Crisper Pan
31	12227304WD	Brace, Crisper
32	12990504	Screw

MOTOR AND ICE CONTAINER PARTS

For Models: EF361WFSSS8
(Stainless Steel)



FOR ORDERING INFORMATION REFER TO PARTS PRICE LIST

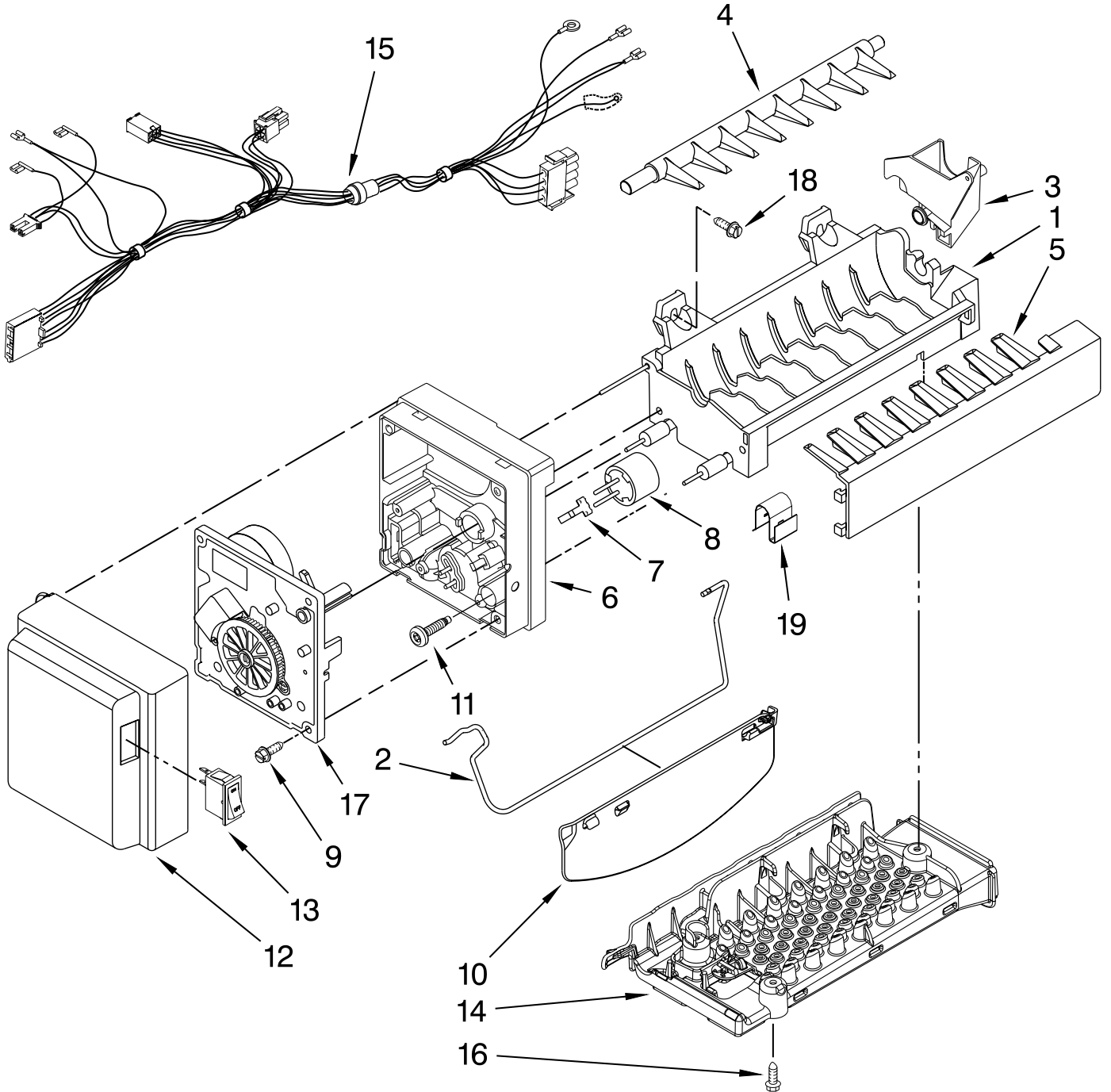
MOTOR AND ICE CONTAINER PARTS

For Models: EF36IWFSSS8
(Stainless Steel)

Illus.	Part	
No.	No.	DESCRIPTION
1	W10324088	Ice Bin Assembly (Includes Auger)
2	W10121282	Inlet, Blower
3	W10121281	Scroll, Blower
4	W10162697	Motor, Fan
5	W10123444	Wheel, Blower
6	12956603SP	Clip, Fan Motor
7	W10151687	Grommet, Fan Motor
8	W10356558	Divider, Ice Box
9	12920001SP	Gasket, Damper
10	W10372218	Motor, Auger
11	W10127427	Damper, Control
12	63052A001	Yoke, Ice Dispenser
13	W10118612	Liner, Divider
14	12990511	Screw (3)
16	W10465946	Washer

ICEMAKER PARTS

For Models: EF36IWFSS8
(Stainless Steel)



FOR ORDERING INFORMATION REFER TO PARTS PRICE LIST

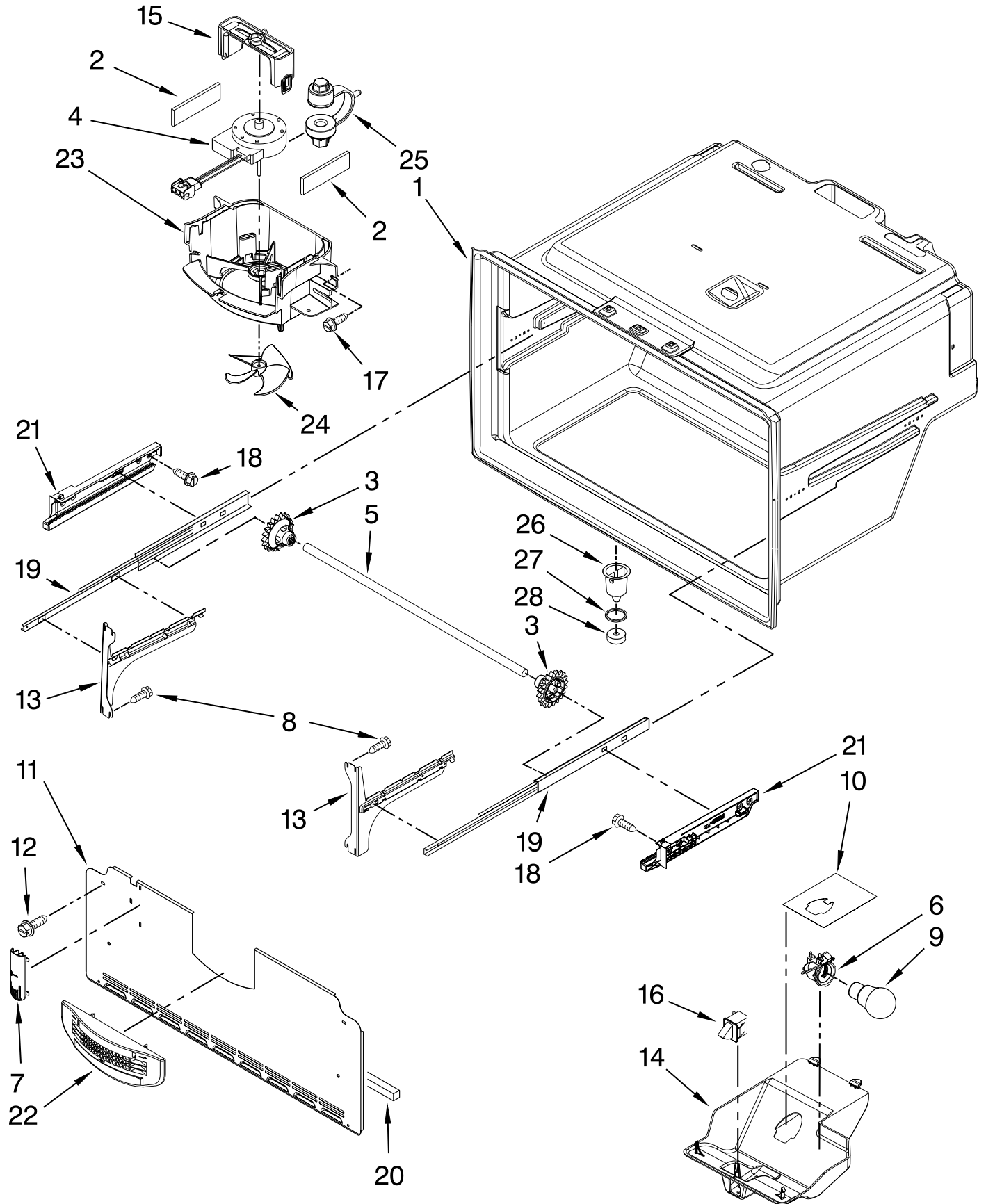
ICEMAKER PARTS

For Models: EF36IWFSSS8
(Stainless Steel)

Illus. No.	Part No.	DESCRIPTION
1	W10300025	Mold & Heater Assembly (Also Order 542638 Grease)
2	W10175514	Arm, Shutoff
3	W10327050	Cup, Fill
4	W10318914	Ejector
5	W10122563	Ice Stripper
6	2194712	Support, Housing
7	2315522	Retainer, Thermostat
8	W10290336	Thermostat (Also Order 542369 Cement)
9	489136	Screw (3)
10	W10351019	Extension, Shutoff Arm
11	W10001280	Screw (2)
12	W10121444	Cover
13	2313326	Switch, On-Off
14	W10312691	Impinger Assy.
15	W10312698	Harness, Icemaker
16	12990511	Screw, Impinger
17	626691	Module Assembly (Incl.Motor)
18	W10001240	Screw (3)
19	628379	Clip
100	W10300024	Icemaker Assembly

FREEZER LINER PARTS

For Models: EF36IWFSSS8
(Stainless Steel)



FOR ORDERING INFORMATION REFER TO PARTS PRICE LIST

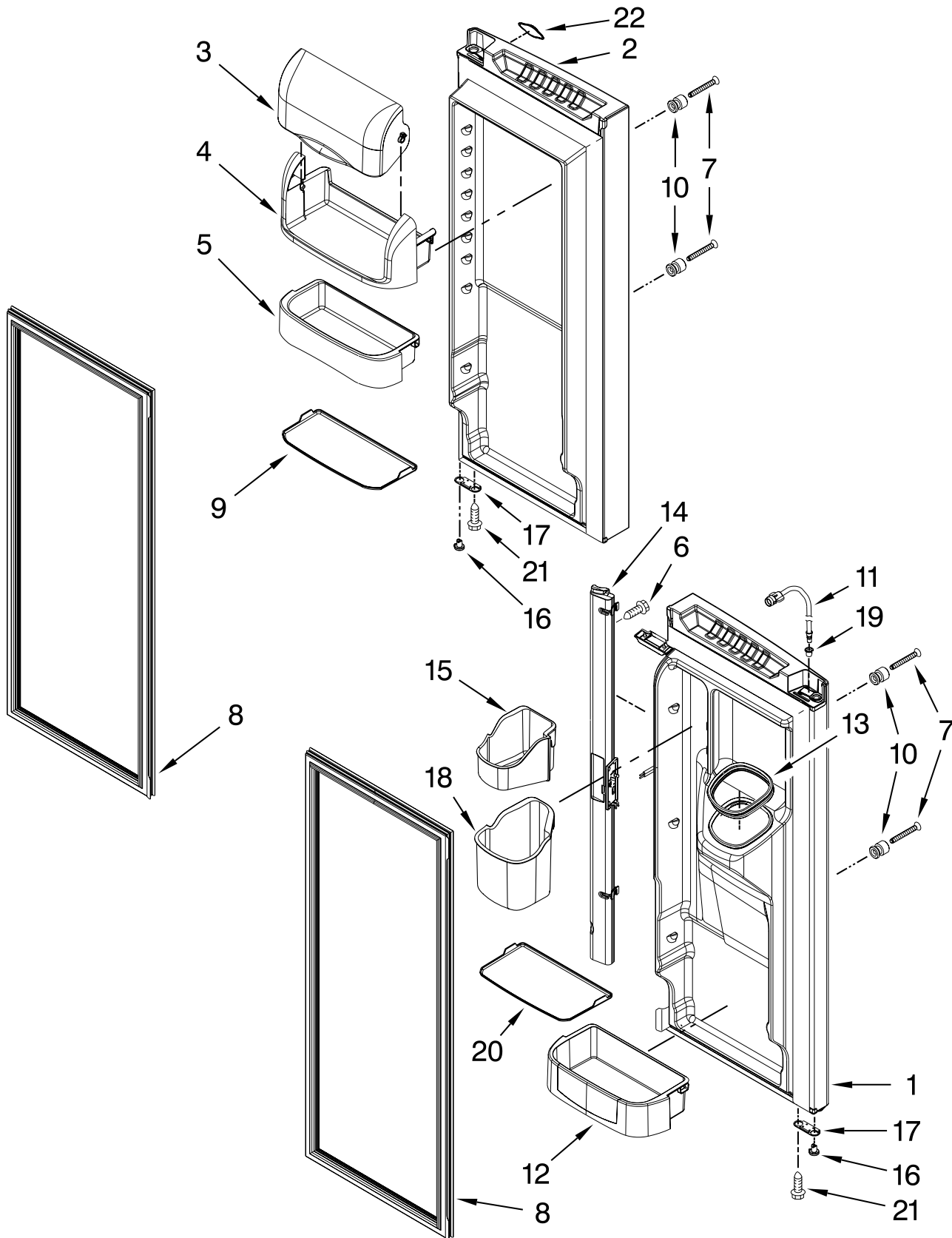
FREEZER LINER PARTS

For Models: EF36IWFSSS8
(Stainless Steel)

Illus. No.	Part No.	DESCRIPTION
1		Liner (Not A Serviceable Part)
2	A3189392	Gasket, Foam (2)
3	12002497	Gear (L & R)
4	W10162809	Motor, Evaporator Fan
5	12812903WD	Shaft, Rack
6	12570701	Socket, Light
7	12815301	Cover, Thermistor
8	12990521	Screw, Bracket
9	W10311527	Bulb, Light
10	W10277466	Foil-FZ Light
11	W10308421	Cover, Evap
12	12990511	Screw
13		Bracket, Door Slide
	W10330991	Left
	W10330993	Right
14	W10315248	Module, Freezer Light
15	12956601	Clip, Fan Motor
16	12466111SP	Switch, Rocker
17	12990504	Screw, Fan Shroud To Basket
18	12990501	Screw, Adapter
19	W10488001	Slide, Drawer (2)
20	A3189396	Gasket, Foam
21		Adapter
	W10284688	Left
	W10284689	Right
22	12959901	Grille, Air
23	12951401	Shroud, Evap Fan
24	12986101	Blade, Fan (Evaporator)
25	12951101	Grommet, Fan Motor (2)
26	D7753903	Funnel, Drain
27	M0500703	Seal, O Ring
28	B8381501	Gasket, Drain Tube

REFRIGERATOR DOOR PARTS

For Models: EF361WFSS8
(Stainless Steel)



FOR ORDERING INFORMATION REFER TO PARTS PRICE LIST

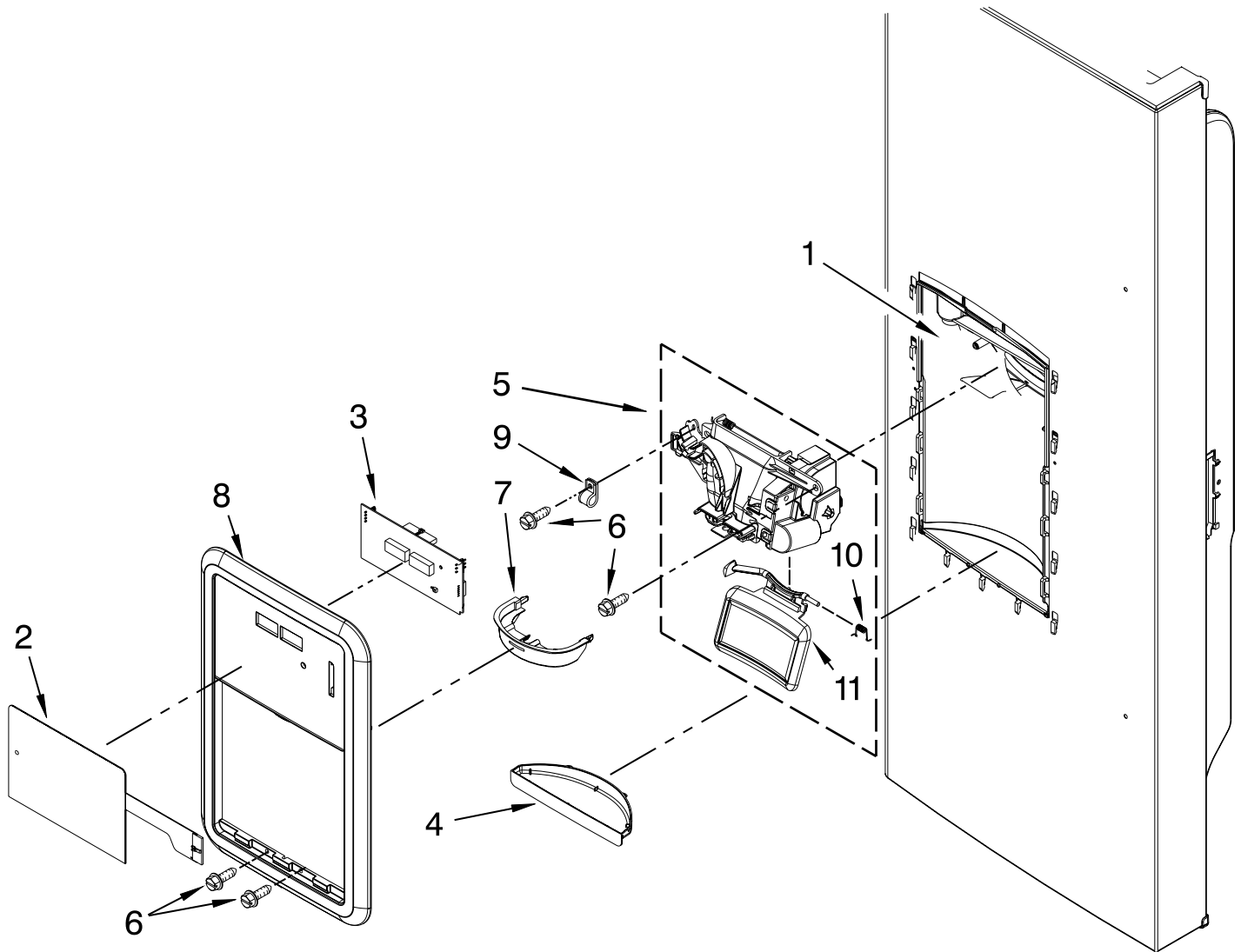
REFRIGERATOR DOOR PARTS

For Models: EF36IWFSSS8
(Stainless Steel)

Illus. No.	Part No.	DESCRIPTION
1		Door, Left
	13107864S	Stainless
2		Door, Right
	13107868S	Stainless
3	12804701SP	Door, Dairy
4	12369502SP	Tray, Dairy
5	W10371193	Bin, Shelf (Medium)
6	12990204	Screw
7	W10160454	Screw
8		Gasket, Door
	W10443238	Apollo Grey
9	12567311SP	Gripper-Bucket-Med
10	12945201	Mount-Handle
11	W10275942	Waterline, Door
12	W10289489	Bin, Shelf (Gallon)
13	W10287601	Seal, Ice Chute
14		Mullion, Door
	12722813APK	Apollo Grey
15	12977401	Bucket, Dispenser (Upper)
16		Closure, Door
	12028505AP	Apollo Grey
17		Stop, Door
	12968202AP	Apollo Grey
18	12977501	Bucket, Dispenser (Lower)
19	12996601	Clip, Bushing Wire (Left Door)
20	12567326	Gripper-Bucket-Gal
21	12990521	Screw
22		Nameplate
	12989001	(Stainless)

DISPENSER FRONT PARTS

For Models: EF36IWFSSS8
(Stainless Steel)



Illus. No.	Part No.	DESCRIPTION
1		Housing, Dispenser (Not Serviced)
2	W10280212	Dispenser Keyboard
3	13053103SP	Board, L.V.
4	W10448627	Sump, Dispenser Stainless

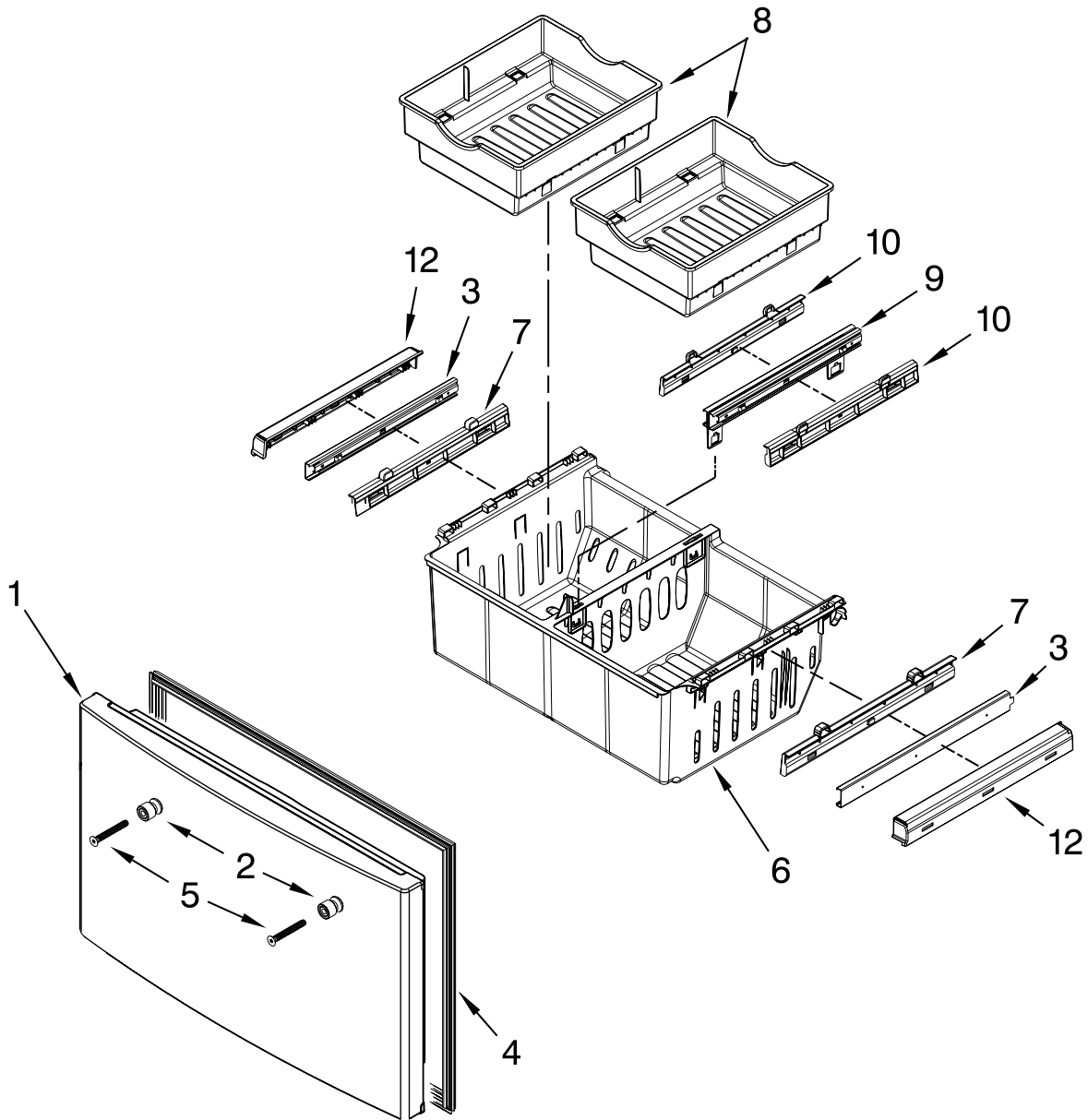
Illus. No.	Part No.	DESCRIPTION
5		Chute, Ext/Yoke (Includes Switch)
	13005707	Midnight Grey (Dark)
6	12990513	Screw

Illus. No.	Part No.	DESCRIPTION
7	12958301	Ring, Target
8	W10310691	Facade, Dispenser Apollo Grey
9	M0108106	Clamp, Tube
10	12565502	Spring
11	W10185233	Yoke/Pad Assy. Midnight Grey (Dark)

FOR ORDERING INFORMATION REFER TO PARTS PRICE LIST

FREEZER DOOR PARTS

For Models: EF36IWFSSS8
(Stainless Steel)



Illus. No.	Part No.	DESCRIPTION
1	12977874S	Freezer Door Stainless
2	12945201	Mount-Handle
3	W10235368	Glide, Upper
4	W10443322	Gasket, Door Apollo Grey

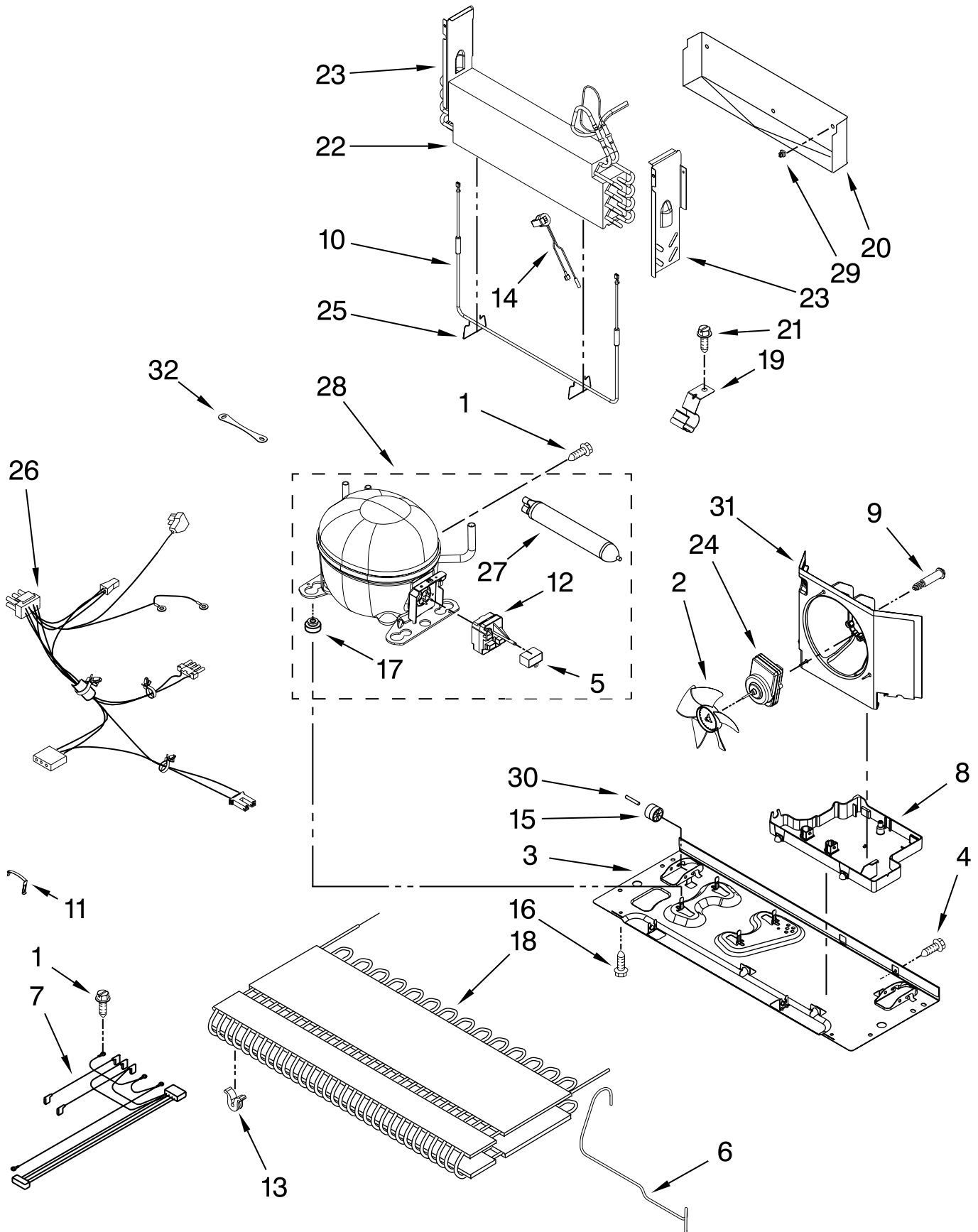
Illus. No.	Part No.	DESCRIPTION
5	W10160454	Screw
6	13002801SP	Bin, Lower
7	13002603SP	Adapter, Bin (Outer)
8	13002402	Bin, Upper
9	W10235358	Bracket/Glide Assembly

Illus. No.	Part No.	DESCRIPTION
10	13002604SP	Adapter, Bin (Inner)
12	13002702SP	Retainer, Glide Right
	13002701SP	Left

FOR ORDERING INFORMATION REFER TO PARTS PRICE LIST

UNIT PARTS

For Models: EF36IWFSSS8
(Stainless Steel)



FOR ORDERING INFORMATION REFER TO PARTS PRICE LIST

UNIT PARTS

For Models: EF36IWFSSS8
(Stainless Steel)

Illus. No.	Part No.	DESCRIPTION
1	12992301	Screw
2	12825803	Blade, Fan
3	W10480111	Basepan
4	12990511	Screw
5	2264017	Capacitor
6	W10233569	Tube, Discharge
7	W10257095	Harness, Evap. Heater (Includes Item 14 & Thermistor)
8	W10296785	Pan, Drain
9	W10216919	Screw, Shoulder
10	12729123	Heater, Defrost
11	W10174384	Strap, Bale
12	W10448874	Start Device
13	W10137529	Grommet, Cond (4)
14	12639311SP	Thermostat, Defrost
15	12477102	Roller (2)
16	12992101	Screw
17	10835903SP	Grommet (4)

Illus. No.	Part No.	DESCRIPTION
18	W10346415	Condenser
19	W10281329	Clip, Drier
20	W10292803	Tray, Drip
21	12990701	Screw
22	W10313899	Evaporator
23		Dam
	12963102SP	Right Side
	12963002SP	Left Side
24	W10239053	Motor, Fan
25	10428101	Clip, Heater
26	W10234027	Harness, Unit with Power Cord
27	W10143759	Drier
28	W10445423	Compressor (Includes items 11,12,17,27)
29	10623002	Clip, Evaporator
30	12477202	Axle, Roller (2)
31	W10189184	Shroud
32	W10236396	Strap, Compressor

Following Parts Not Illustrated and Optional Parts Not Included

978025	Valve, Access (1/4")
978026	Valve, Access (5/16")
978027	Valve, Access (3/8")
978028	Valve, Access (1/2")
978029	Valve, Access (5/8")
978030	Valve, Access (3/4")
876764	Valve, Access (3/16")

REFRIGERANT CHARGE

5.25 Ozs.
(R-134A)

OPTIONAL PARTS (NOT INCLUDED)

For Models: EF36IWFSSS8
(Stainless Steel)

Illus. No.	Part No.	DESCRIPTION
------------	----------	-------------

Parts Not Illustrated and
Optional Parts (Not Included)

Customer Touch-Up Material

*350939 Enamel, Black
(13 Oz. Spray Can)
72032 Brush Touch-up kit
(Black)

* **Important:** The spray paint is not to be used where the paint may make contact with the door gaskets.

Refinishing Material

799340 Enamel, Black
(1 Qt. Uncut)

Illus. No.	Part No.	DESCRIPTION
------------	----------	-------------

Miscellaneous

212643 Sealer, Gum
(4 Feet)
479502 Tape, Vinyl
(3/4 x 108")
876370 Kit, Insulation
(2 Pcs. x 3" x 24"
X 48")
876305 Kit, Insulation
(14 Pcs. x 3"
x 24" x 48")
978941 Insulation,
Fiberglass
(63-1/2" x 35-1/2"
X 2-5/8)
876029 Kit, Foam Slab
(30" x 32-1/2"
x 1-1/2")
505587 Sealer, Mastic
(1 Qt.)
503695 Cork, Sealer
(1/4 Pound)
20000008 Cleaner,
Stnls Steel Magic
542638 Grease, Silicone
(1/2 Oz.)
542639 Cement,
Alumilastic
(1-1/4 Oz.)
606755 Bag, Insulation
(36-5/8" x 46")
833938 Kit, Terminal
Connector
67007112 Ice Container
Assembly

Illus. No.	Part No.	DESCRIPTION
------------	----------	-------------

TORX SCREW WRENCH

1117510 Torx Key